



S 46 SX

SPECIFICATIONS

 16K
Like

[Request Information](#)

[View S 46 SX Brochure](#)

SPECIFICATIONS

	U.S.	Metric
Vertical Reach	149' 7"	45.6 m
Horizontal Reach	136' 10"	41.7 m
Below Grade Reach w/ Tip Hose	111'	33.8 m
Pipeline Diameter	5 in	125 mm
Boom Type/ Sections	Overhead Roll & Fold@/ 4	
Boom Rotation	370 degrees	
Unfolding Height	39' 6"	12 m
Outrigger Type- Front	Super X, Hydraulic Slewing & Jacking	
Outrigger Type- Rear	Hydraulic Slewing & Jacking	
Outrigger Soil Pressure w/o Dunnage (front/rear)	367/353 psi	25.3/24.3 bar
Outrigger Soil Pressure w/ Dunnage (front/rear)	104/100 psi	7.2/6.9 bar
Outrigger Width, Front	27' 3"	8.3 m

Outrigger Width, Rear	27' 3"	8.3 m
Outrigger Length	29 ft	8.8 m

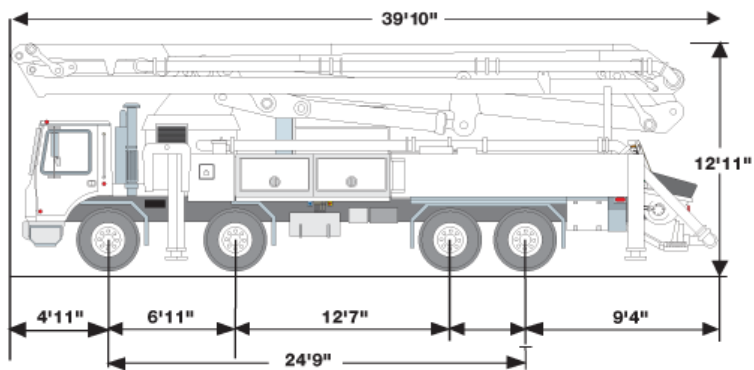
PUMP SPECIFICATIONS

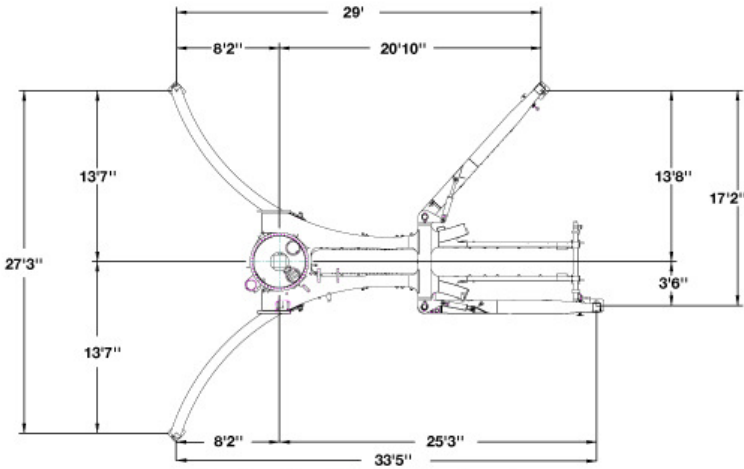
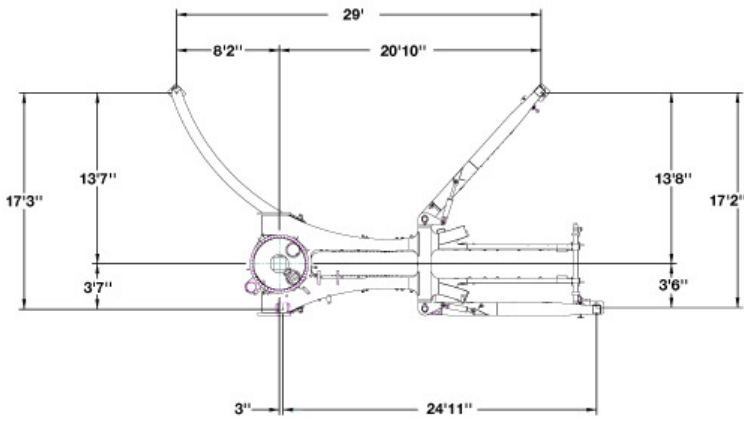
2525H-6 120/85 MPS

U.S. Metric

Theor. Concrete Output	213 cu yds/h	163 cu m/h
Max. Pressure on Concrete	1169 psi	81 bar
Max. Strokes Per Minute	22	
Max. Aggregate size	2.5 in	63.5 mm
Material Cylinder Diameter	10 in	254 mm
Material Cylinder Stroke	98 in	2500 mm
Differential Cylinder Diameter	4.7 in	120 mm
Maximum Oil Flow	158.5 gal/min	600 l/min
Hydraulic Circuitry Type	MPS	
Valve Type	B Rock	

*Pump specifications are for standard units. Other units are available. Specifications are subject to change without prior notice.





EASy Flex One Sided Outrigging System

*Easy Flex on the 46 SX and 47 SX require both of the front outriggers fully extended.

FEATURES & BENEFITS

PRODUCT REVIEWS